

14V_{P-P}, Mono, Class G Ceramic Speaker Driver

DESCRIPTION

The EUA6288 is a mono Class G power amplifier with an integrated inverting charge-pump power supply. The charge pump can supply up to 500mA of peak out-put current over at 5V, guaranteeing an output of 14V_{P-P}.

The EUA6288 offers good performance through the class G output stage, which provides efficiency levels greater than Class AB devices without the EMI penalties commonly associated with Class D amplifiers. The EUA6288 is ideally designed to deliver the high output voltage swing for ceramic/piezoelectric speakers. The device utilizes fully differential inputs and outputs, comprehensive click-and-pop suppression, shutdown control, and soft-start circuitry. The EUA6288 is available in 28-pin TQFN (4mm×4mm) package.

FEATURES

- 2.7V-5.0V Operation
- Integrated Charge-Pump Power Supply
- 14V_{P-P} Voltage Swing into Piezoelectric Speaker
- Click-and-Pop Suppression
- Available in TQFN-28 Package
- RoHS Compliant and 100% Lead(Pb)-Free Halogen-Free

APPLICATIONS

- Mobile Phones/ Smartphones
- Personal Media Players
- Tablet PC
- Handheld Gaming
- Notebook Computers

Typical Application Circuit

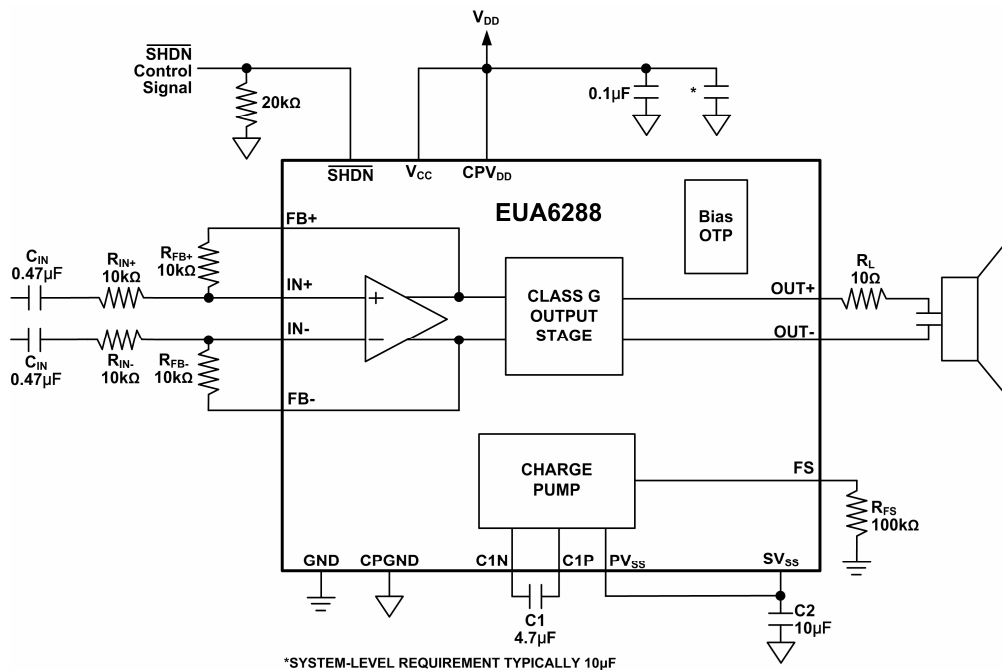


Figure1.