

Constant-Voltage, Constant-Current Controller with Primary-Side Regulation

DESCRIPTION

The EUP9287 is a Constant-Voltage (CV) and Constant-Current (CC) regulator controller with primary side regulation. The device can control the output voltage and current by sensing auxiliary winding voltage.

EUP9287 operates in pulse width modulation mode (PWM) or pulse frequency modulation mode (PFM) automatically to keep the conversion efficiency high across the line ranges.

The EUP9287 contains thermal shutdown function, over-voltage protection and over-current protection.

FEATURES

- <30mW No-Load Power.
- $\pm 5\%$ Voltage and Current Regulation
- Primary Side Regulation(PSR) without Opto-Coupler
- Ultra-low start-up current
- V_{IN_OVP} protection
- Fast dynamic load response.
- Clamped Gate-Driver Output for MOSFET
- Programmable Cable Compensation.
- 1kHz ~ 100kHz Switching Frequency
- Tiny External Components
- Available in SOT23-6 Package
- RoHS Compliant and 100% Lead (Pb)-Free Halogen-Free

APPLICATIONS

- Adapters for Consumer Electronics.
- AC and DC Power

Typical Application Circuit

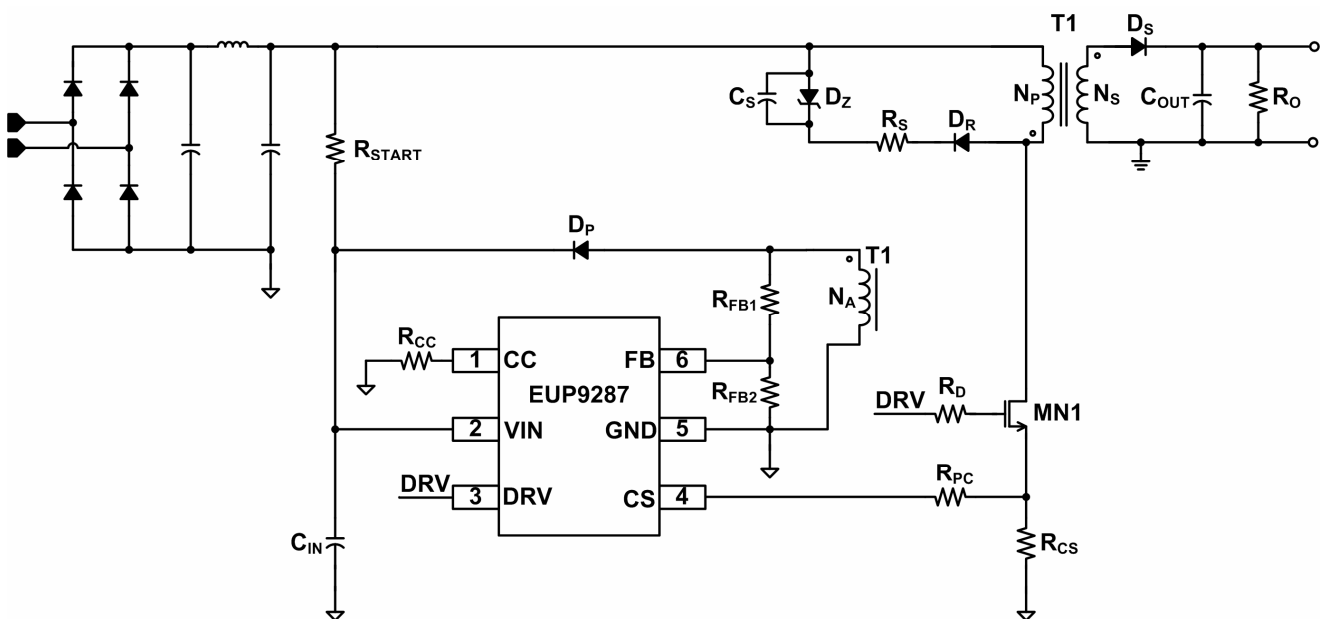


Figure 1. Typical Application