

600mA High PSRR Low Dropout Linear Regulator

DESCRIPTION

The EUP7905 is a high current, low dropout linear regulator with fast transient response and high PSRR. It offers high output accuracy, extremely low dropout voltage, low quiescent current and fast start-up time.

The EUP7905 is designed to work with low-ESR ceramic capacitor, reducing the amount of the PCB area necessary for power applications. Only a 2.2 μ F ceramic capacitor can make the device stable over the whole load range.

When EUP7905 detects fault signal, such as over-temperature, it will turn off the pass transistor and discharge VOUT to GND from the internal resistor.

EUP7905 only can be operated in fixed mode, the pre-set value is from 0.8V~3.6V. Other key features include over-current protection, thermal shutdown. The device can be available in the SOT23-5 package.

FEATURES

- 2.5V to 5.5V Input Voltage Range
- 300mV@600mA Dropout Voltage
- Ultra Fast Transient Response
- Stable with 2.2 μ F Ceramic Output Capacitor
- 70dB PSRR at 1kHz
- Low 120 μ A Quiescent Current
- Low Shutdown Current:<1 μ A
- Output Current Limit
- Output Voltage With High Accuracy:
2% Initial Accuracy
Fixed Output Voltage: 0.8V ~ 3.6V
- Thermal Shutdown
- COUT Auto-Discharge when Shutdown
- RoHS Compliant and 100% Lead (Pb)-Free Halogen-Free

APPLICATIONS

- WiFi Modules
- Battery-Powered Equipment
- Notebook Computers

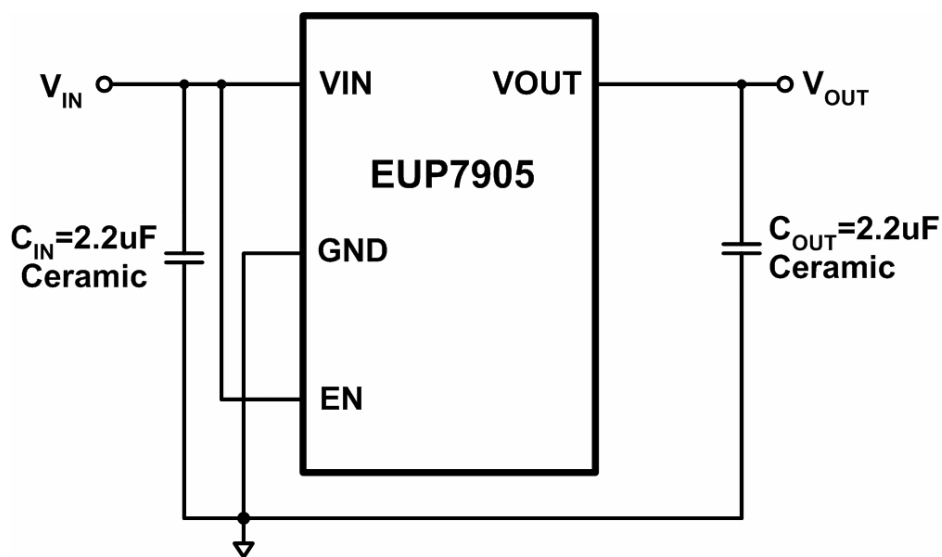
Typical Application Circuit


Figure. 1 Fixed Output