

1MHz Boost Regulator with 18V Integrated FET Switch in Tiny SOT-23

DESCRIPTION

The EUP2570 switching regulator is a current-mode boost converter operating at fixed frequency of 1MHz. It is designed for small LCD bias supply and others micropower step-up applications. The 18V switch allows for output voltage as high as 17V. The integrated 0.19Ω power switch and 2A current limit will provide high efficiency over a wide range of load conditions with high power density.

The EUP2570 integrated multiple protections, such as OC, UVLO, OT, OVP, which will prevent damage in the event of an output overload.

The EUP2570 is available in the tiny SOT23-5 package to provide the best solution for PCB space saving and total BOM cost.

FEATURES

- 2.6V to 5.5V Input Range
- 18V Output Over Voltage Protection
- Internal Soft-Start
- Adjustable Output Voltage
- Internal 0.19Ω 18V MOSFET Switch
- 1MHz Switching Frequency
- 2A Current Limit
- Low-Profile Inductors and Capacitors
- Peak Efficiency Up to 88%
- Available in TSOT23-5 Package
- RoHS Compliant and 100% Lead (Pb)-Free Halogen-Free

APPLICATIONS

- LCD Panel Bias Supplies
- Local Boost Regulator
- Digital Camera
- Portable Applications

Typical Application Circuit

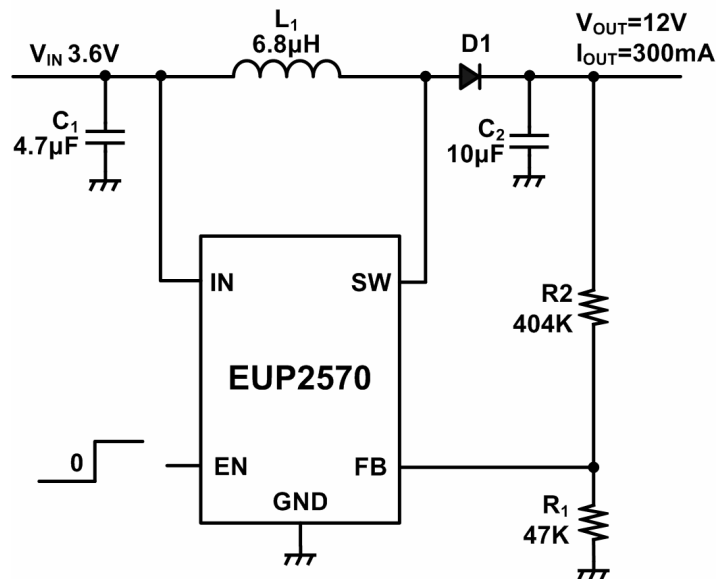


Figure 1. EUP2570 Typical 12V Application